



Needle Valve

3000 PSI

Description

Needle valves and multi port valves separate the process from measuring instruments such as pressure gauges, switches or transmitters.

By closing this valve the instrument can be safely dismantled for services like recalibration or replacement.



Features

- ◆ As per industrial standards.
- ◆ Provide complete isolation or throttling of the media.
- ◆ Perfect alignment for positive air tight shut-off
- ◆ Optional vent plug for draining purpose.
- ◆ Designed for mounting below pressure measuring instruments.
- ◆ Stainless steel construction and optional exotic material.

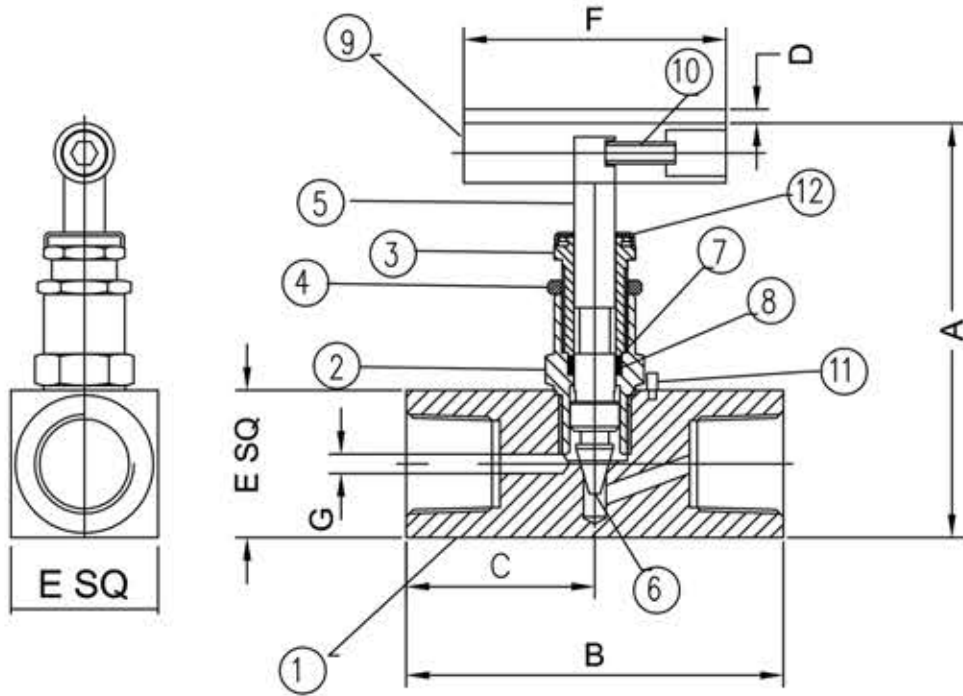
Applications

- ◆ Isolation of instrument from service
- ◆ High pressure lines
- ◆ Liquid and vapour service
- ◆ Process industry, Power plant
- ◆ Chemical and Petrochemical Industries
- ◆ Off shore and on shore processes
- ◆ Oil and gas refineries

Technical Specification

Body	Stainless steel 316 optional Stainless steel 316L, Monel & Hasteloy-C276
Stem	Stainless steel 316 optional Stainless steel 316L, Monel & Hasteloy-C276
Valve assembly	Stainless steel 316 optional Stainless steel 316L, Monel & Hasteloy-C276
Bonnet	Stainless steel 316 optional Stainless steel 316L, Monel & Hasteloy-C276
Tip	Stainless steel 316 optional Stainless steel 316L, Monel & Hasteloy-C276
Connections	1/4" 3/8" 1/2" 3/4" BSP / NPT, others on request
Packing	PTFE
T-handle	Stainless steel 304
Pressure Rating	3000 PSI @ 100°C (212 °F)
Drain Port (Optional)	M8 (F)
Vent Plug	Stainless steel 316 optional Stainless steel 316L, Monel & Hasteloy-C276

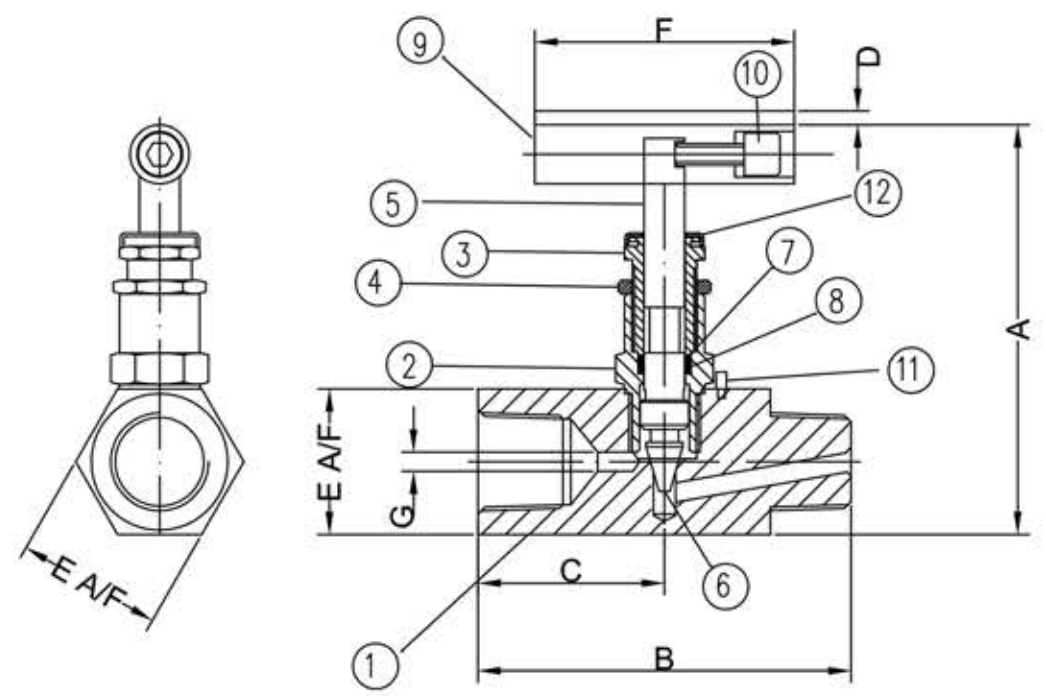
Dimensions



No.	Description	Qty.	Material	
1	Body 32MM A/F	1	SS316	CS
2	Bonnet	1	SS316	CS
3	Adj. Bonnet	1	SS316	CS
4	Lock Nut	1	SS316	CS
5	Stem (Rotating Tip)	1	SS316	SS304
6	Rotating Tip	1	17.4PH	17.4PH
7	Packing	1	SS	SS
8	Packing	1	TEFLON	TEFLON
9	Handle	1	SS316	CS
10	Gurb Screw	1	SS	CS
11	Stoper pin	1	SS	SS
12	Dust Cap	1	Nylon	Nylon

DIMENTIONNAL DATA

No.	CONNECTION
A	97
B	82
C	35.5
D	6
E	32
F	57
G	6.0



No.	Description	Qty.	Material	
1	Body 32MM A/F	1	SS316	CS
2	Bonnet	1	SS316	CS
3	Adj. Bonnet	1	SS316	CS
4	Lock Nut	1	SS316	CS
5	Stem (Rotating Tip)	1	SS316	SS304
6	Rotating Tip	1	17.4PH	17.4PH
7	Packing	1	SS	SS
8	Packing	1	TEFLON	TEFLON
9	Handle	1	SS316	CS
10	Allen Screw	1	SS	CS
11	Stoper pin	1	SS	SS
12	Dust Cap	1	Nylon	Nylon

DIMENTIONNAL DATA

No.	CONNECTION
A	97
B	82
C	35.5
D	6
E	32
F	57
G	6.0

PART NO.	DESCRIPTION	SIZE	PRESSURE RATING	MOC
INSTRUMENTATION VALVES AND MANIFOLD				
BI/NV/4N/FF/3K	Needle Vavle Single Bonnet	1/4" NPT(F) Needle Valve	3000 PSI	SS316
BI/NV/6N/FF/3K	Needle Vavle Single Bonnet	3/8" NPT(F) Needle Valve	3000 PSI	SS316
BI/NV/8N/FF/3K	Needle Vavle Single Bonnet	1/2" NPT(F) Needle Valve	3000 PSI	SS316
BI/NV/12N/FF/3K	Needle Vavle Single Bonnet	3/4" NPT(F) Needle Valve	3000 PSI	SS316
BI/NV/4N/MF/3K	Needle Vavle Single Bonnet	1/4" NPT(MxF) Needle Valve	3000 PSI	SS316
BI/NV/6N/MF/3K	Needle Vavle Single Bonnet	3/8" NPT(MxF) Needle Valve	3000 PSI	SS316
BI/NV/8N/MF/3K	Needle Vavle Single Bonnet	1/2" NPT(MxF) Needle Valve	3000 PSI	SS316
BI/NV/12N/MF/3K	Needle Vavle Single Bonnet	3/4" NPT(MxF) Needle Valve	3000 PSI	SS316